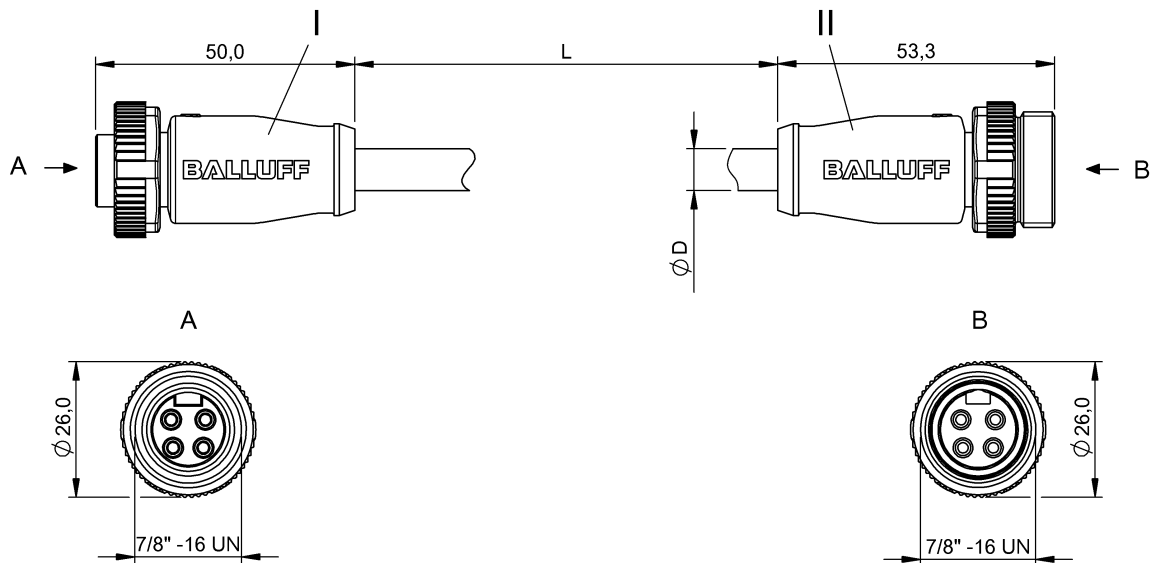


Double-Ended Cordsets
BCC A314-A314-30-304-VX44W6-350
Order Code: BCC0CE2

BALLUFF



Basic features

Application	Operating voltage
Approval/Conformity	CE cULus WEEE

Electrical connection

Cable	PVC Yellow, 35 m
Cable diameter D	10.67 mm ±0.25 mm
Conductor cross-section	16 AWG
Connection 1	7/8"-Female, straight, 4-pin
Connection 2	7/8"-Male, straight, 4-pin
Number of conductors	4
System	Molded/Molded

Electrical data

Cable rated voltage AC max.	600 V
Cable rated voltage DC max.	600 V
Operating voltage Ub	300 VDC / 300 VAC
Operating voltage Ub 3-phase network	277/480V AC +/- 15%
Rated current (40 °C)	10.0 A

Remarks

Bulk cable: PVC UL listed, 16/4 STOOW/MaleOOW CSA 105°C 600 V
 Enclosure rating per IEC 60529, only in screwed state with the associated mating piece.

Environmental conditions

Cable temperature, fixed routing	-40...105 °C
IP rating	IP67, IP68/IP67, IP68

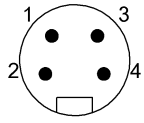
Material

Cable jacket, material	PVC
Material contact carrier	PUR/PUR
Material contacts	Brass/Brass
Material cover nut	Die-cast zinc/Die-cast zinc
Material grip	PUR/PUR

Mechanical data

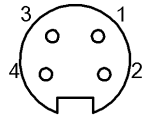
Cable jacket, color	Yellow
Cable length L	35.00 m
Tightening torque pigtail	1.5 Nm/1.5 Nm

Connector Drawings



II

PIN 1: brown
PIN 2: white
PIN 3: blue
PIN 4: black



I

PIN 1: brown
PIN 2: white
PIN 3: blue
PIN 4: black

Wiring Diagrams

